

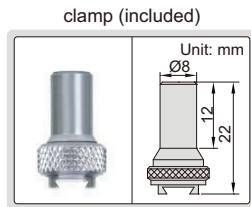
VERTICAL TYPE LONG STYLUS DIAL TEST INDICATOR

INSIZE PLUS
MADE IN EUROPE

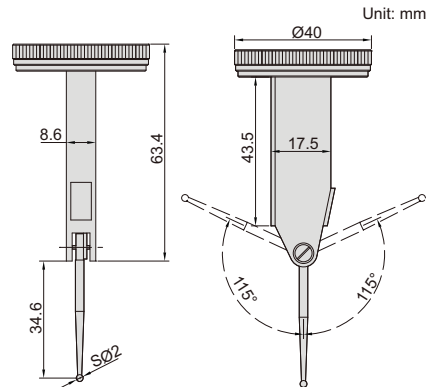
ANTI MAGNETIC
CARBIDE CONTACT POINT

INSPECTION
CERTIFICATE

- Meet DIN2270
- Ceramic bearing
- Anti magnetic carbide contact point
- Two measuring directions
- Supplied with one clamp: diameter $\varnothing 8$ mm
- Optional accessory: styli



2899-05



Code	Range	Graduation	Accuracy	Hysteresis	Dial reading
2899-05*	0.5mm	0.01mm	13 μ m	3 μ m	0-25-0

*Supplied with manufacturer inspection certificate